



The Colour Chart Selection

STANDARD



Pink Sky Blue Ivory

PREMIUM



Burgundy Sorrento Blue

WHITE



White

•Product colour reproduction is as near to actual product colour as production methods allow.
 •Colour range does not apply to all models.

proudly 100% malaysian made

Clayton®

a subsidiary of  Clayton®
SINCE 1920

This catalogue provides information about the company to anyone who is interested about the company • It is not for general circulation or public dissemination • CLAYTON does not assume any responsibility for any unauthorised distribution or dissemination of this catalogue or part thereof in any form • Kindly consult the above contacts for more information • Product visuals featured here are for visual references only • Actual products may vary • Product & product colour reproduction is as near to actual product colour as production methods allow • All dimensions are approximately measured in millimeters • Colour range does not apply to all models. **Warning: Products in this leaflet are the subject of registered designs and patents.**

Distributor:


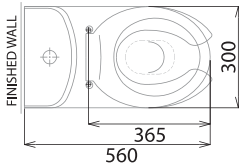
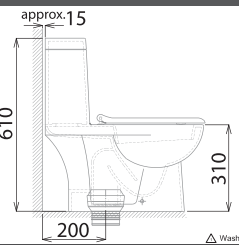


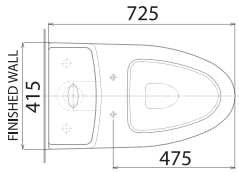
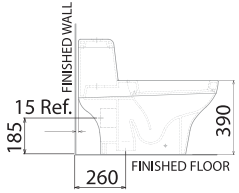
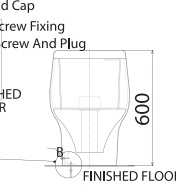

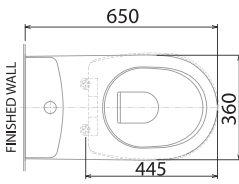
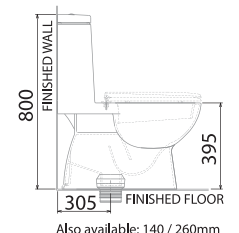
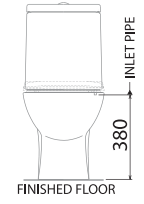

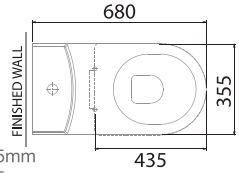
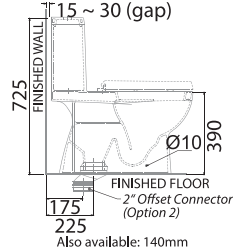
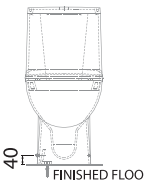
Clayton®


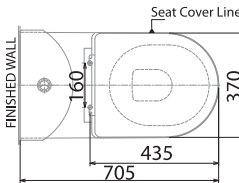
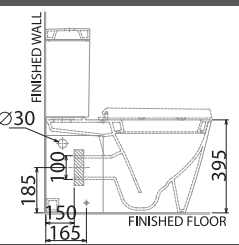
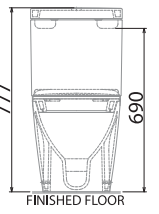

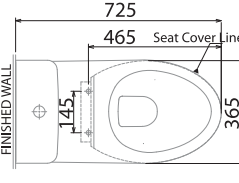
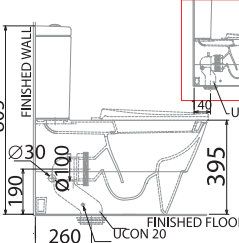
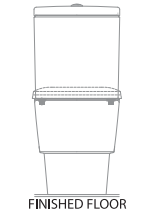

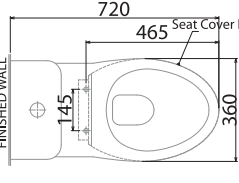
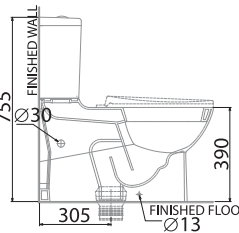


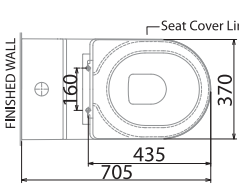
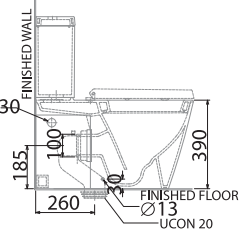
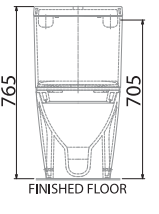

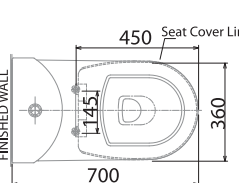
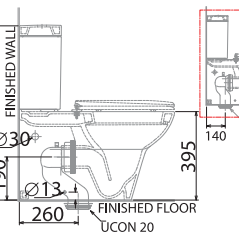
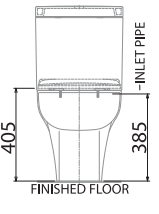

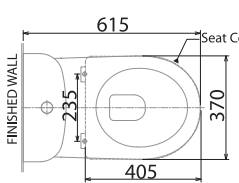
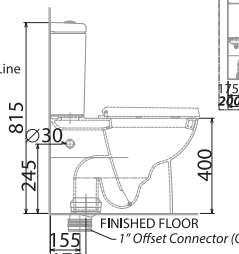
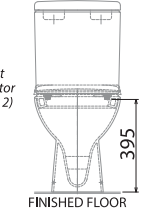



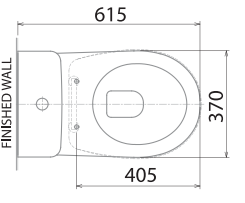
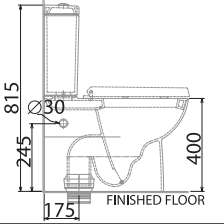
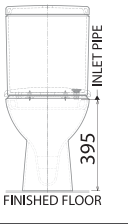

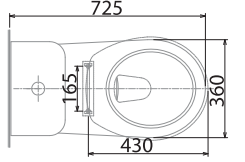
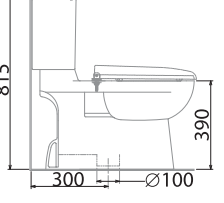
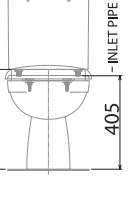

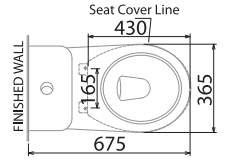
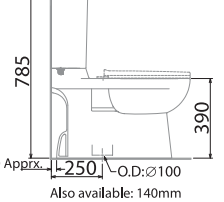
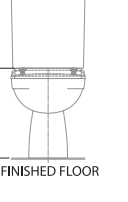

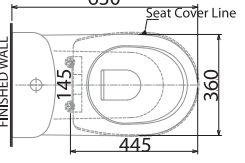
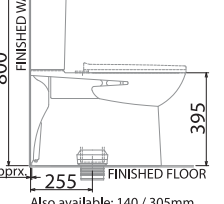
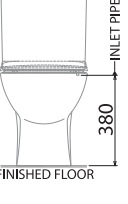

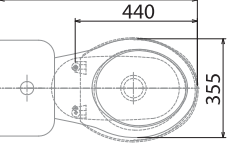
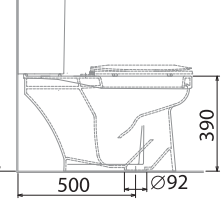
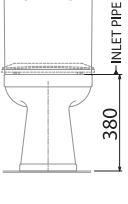

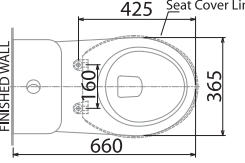
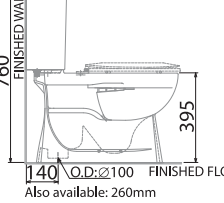
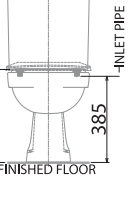
Introduction

Fine craftsmanship and attention to details make CLAYTAN a prestigious brand with over 90 years of experience in ceramic ware. Every product produced by CLAYTAN Group is designed with a unique statement, as we are dedicated to excellence through technology to produce meticulous curves, unique angles and polished surface products that are unmatched worldwide.


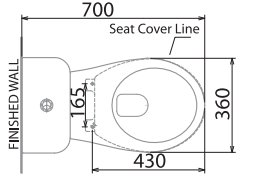
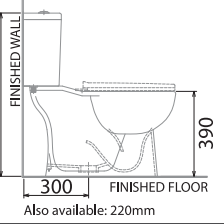
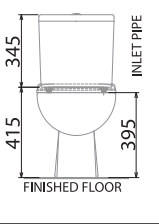

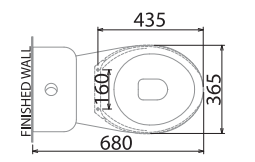
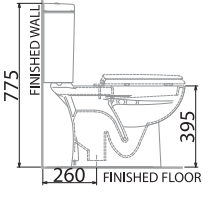
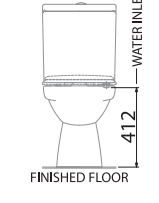

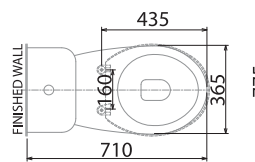
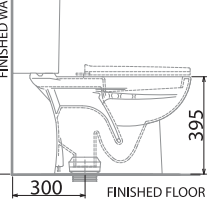
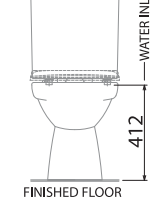
Designed to suit the modern lifestyle, our products not only accentuate the beauty of the bathroom, but also boost innovative water saving technology. Renowned for our water saving concepts worldwide, CLAYTAN is the first in Malaysia to develop an eco-friendly range of products that save water and preserve the planet.

One Piece W.C. Suite	PLAN / TOP ELEVATION	SIDE ELEVATION	FRONT ELEVATION
 <p>KIDDY WASHDOWN ONE PIECE WC SET WC1611 4.5 / 3 Litres, 3.5 / 2.5 Litres BO / S Trap rough-in : 200mm</p>			
 <p>MERCURY WASHDOWN ONE PIECE WC SET WC1622 (S / P) 6 / 3 Litres, 4 / 3 Litres BO / S Trap rough-in : 260mm HO / P Trap height : 185mm</p>			
 <p>NEMO WASHDOWN ONE PIECE WC SET WC1633 (A / S / B) 6 / 3 Litres, 4 / 3 Litres BO / S Trap rough-in : A : 140 / S:260 / B : 305mm</p>			
 <p>AQUARIUS WASHDOWN ONE PIECE WC SET WC1655 (A / S) 6 / 3 Litres, 4 / 3 Litres BO / S Trap rough-in: Option 1 : 1" offset : 205mm or 245mm Option 2 : 2" offset : 175mm or 275mm</p>			

Washdown W.C. Suite	PLAN / TOP ELEVATION	SIDE ELEVATION	FRONT ELEVATION
 <p>VESPER WASHDOWN CLOSE COUPLE WC SET WC4520P / LC3011FT 6 / 3 Litres, 4.5 / 3 Litres BO / S Trap rough-in : 260mm (convert from P Trap to 260mm with specific S Converter) HO / P Trap height : 185mm</p>			
 <p>TRITON ELONGATED WASHDOWN CLOSE COUPLE WC SET WC4512 / LC3025D 6 / 3 Litres, 4.5 / 3 Litres BO / S Trap rough-in : 305mm HO / P Trap height : 190mm (convert from P trap to S trap 140mm / 260mm with specific S Converter)</p>			
 <p>TELESTO ELONGATED WASHDOWN CLOSE COUPLE WC SET WC4529 / LC3005ND 6 / 3 Litres, 4.5 / 3 Litres BO / S Trap rough-in : 305mm HO / P Trap height : 190mm (convert from P trap to S trap 260mm with specific S Converter)</p>			
 <p>VENUS WASHDOWN CLOSE COUPLE WC SET WC4509P / LC3029ND 6 / 3 Litres, 4.5 / 3 Litres BO / S Trap rough-in : 260mm (convert from P trap to S trap 260mm with specific S Converter) HO / P Trap height : 185mm</p>			
 <p>LEO WASHDOWN CLOSE COUPLE WC SET WC4511NP / LC3011FT 6 / 3 Litres, 4.5 / 3 Litres BO / S Trap rough-in : 140 / 260 / 305mm (convert P trap to S trap with specific S Converter) HO / P Trap height : 190mm</p>			
 <p>NEON WASHDOWN CLOSE COUPLE WC SET WC4516 / LC3022D 6 / 3 Litres, 4.5 / 3 Litres BO / S Trap rough-in : 175mm (S Trap 155mm with 1" offset connector) HO / P Trap height : 190mm</p>			


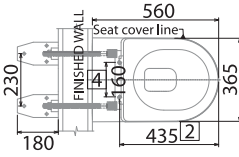
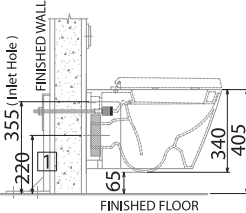
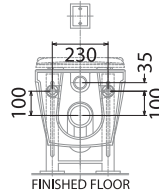

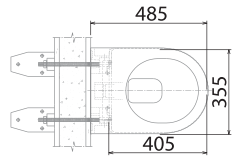
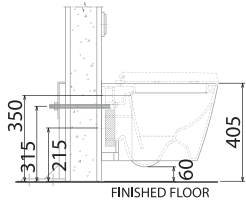
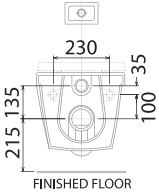

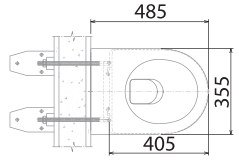
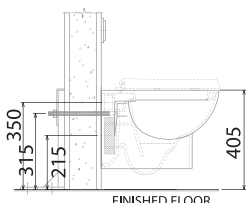
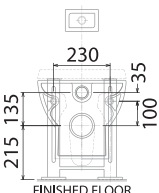

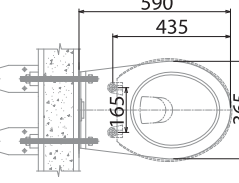
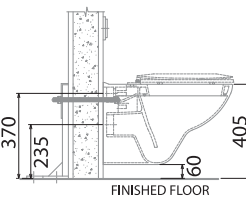
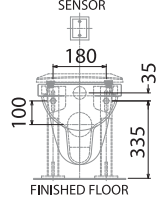
Washdown W.C. Suite	PLAN / TOP ELEVATION	SIDE ELEVATION	FRONT ELEVATION
 <p>NEPTUNE WASHDOWN CLOSE COUPLE WC SET WC4515 / LC3025D 6 / 3 Litres, 4,5 / 3 Litres BO / S Trap rough-in : 175mm HO / P Trap height : 190mm</p>	 <p>615 370 405</p>	 <p>815 245 330 400 175 FINISHED FLOOR</p>	 <p>INLET PIPE 395 FINISHED FLOOR</p>
 <p>LISA 2 WASHDOWN CLOSE COUPLE WC SET WC4505D / LC3030D 6 / 3 Litres, 4,5 / 3 Litres BO / S Trap rough-in : 300mm HO / P Trap height : 190mm</p>	 <p>725 360 430 165</p>	 <p>815 390 300 Ø100</p>	 <p>INLET PIPE 425 405 FINISHED FLOOR</p>
 <p>LISA WASHDOWN CLOSE COUPLE WC SET WC4505 / LC3005ND 6 / 3 Litres, 4,5 / 3 Litres BO / S Trap rough-in : A : 140 / D : 250mm HO / P Trap height : 190mm</p>	 <p>Seat Cover Line 430 365 675 165</p>	 <p>785 390 20 Approx. 250 O.D. Ø100 Also available: 140mm</p>	 <p>445 FINISHED FLOOR</p>
 <p>LYNX WASHDOWN CLOSE COUPLE WC SET WC4526 / LC3306D 6 / 3 Litres, 4,5 / 3 Litres BO / S Trap rough-in : A : 140 / S : 255 / B : 305mm HO / P Trap height : 190mm</p>	 <p>630 360 445 145 Seat Cover Line</p>	 <p>800 395 5 Approx. 255 FINISHED FLOOR Also available: 140 / 305mm</p>	 <p>INLET PIPE 380 FINISHED FLOOR</p>
 <p>LAVEZ WASHDOWN CLOSE COUPLE WC SET WC3100 / LC3030D 6 / 3 Litres BO / S Trap rough-in : 500mm</p>	 <p>715 440 355 440</p>	 <p>775 390 500 Ø92</p>	 <p>INLET PIPE 380 FINISHED FLOOR</p>
 <p>LYRA WASHDOWN CLOSE COUPLE WC SET WC4506 / LC3016D 6 / 3 Litres, 4,5 / 3 Litres BO / S Trap rough-in : A : 140 / S : 260mm</p>	 <p>425 365 660 160 Seat Cover Line</p>	 <p>760 395 140 O.D. Ø100 FINISHED FLOOR Also available: 260mm</p>	 <p>INLET PIPE 345 415 385 FINISHED FLOOR</p>

WATER EFFICIENCY  Good  Very Good  Excellent


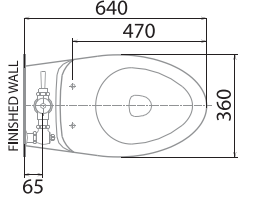
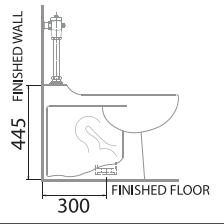
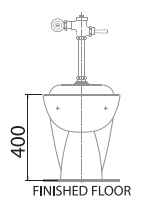

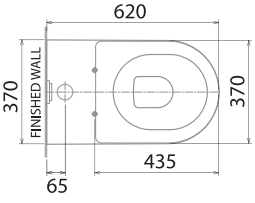
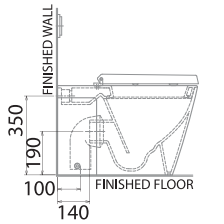
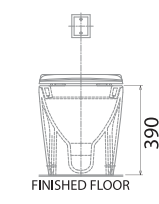

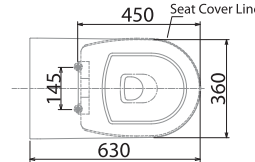
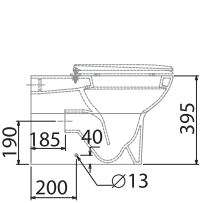
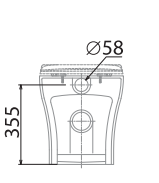

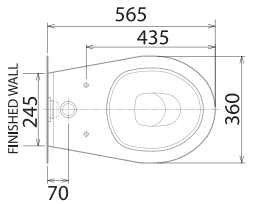
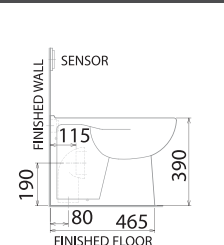
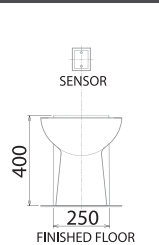

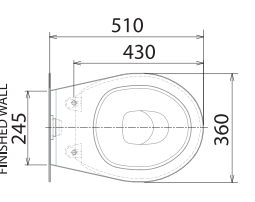
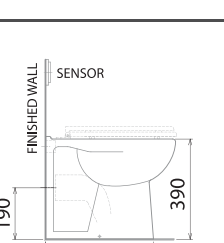
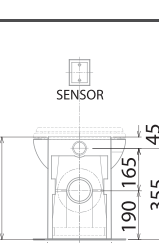

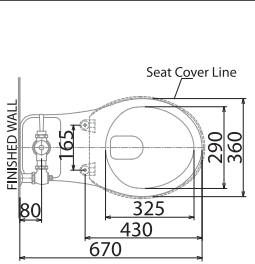
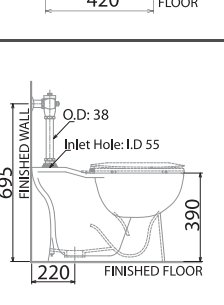
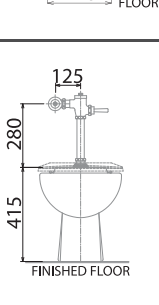
Washdown W.C. Suite	PLAN / TOP ELEVATION	SIDE ELEVATION	FRONT ELEVATION
 <p>WINNIE WASHDOWN CLOSE COUPLE WC SET WC612N / LC3005ND 6 / 3 Litres, 4,5 / 3 Litres BO / S Trap rough-in : D : 220 / B : 300mm</p>	 <p>700 360 430 165 Seat Cover Line</p>	 <p>760 390 300 FINISHED FLOOR Also available: 220mm</p>	 <p>INLET PIPE 345 415 395 FINISHED FLOOR</p>
 <p>IRIS WASHDOWN CLOSE COUPLE WC SET WC4501N / LC3005ND 6 / 3 Litres, 4,5 / 3 Litres BO / S Trap rough-in : 260mm HO / P Trap height : 190mm</p>	 <p>435 365 680 160</p>	 <p>775 395 260 FINISHED FLOOR</p>	 <p>WATER INLET 412 FINISHED FLOOR</p>
 <p>IRIS 2 WASHDOWN CLOSE COUPLE WC SET WC4501N / LC3030D 6 / 3 Litres, 4,5 / 3 Litres BO / S Trap rough-in : 300mm HO / P Trap height : 185mm</p>	 <p>435 365 710 160</p>	 <p>775 395 300 FINISHED FLOOR</p>	 <p>WATER INLET 412 FINISHED FLOOR</p>


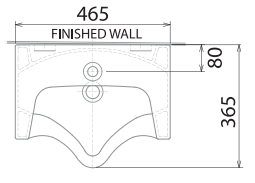
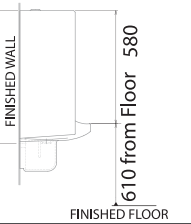
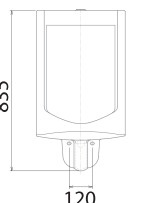

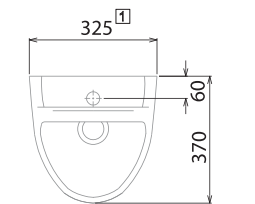
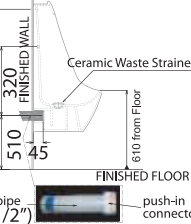
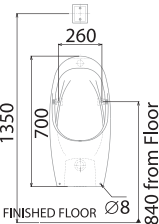

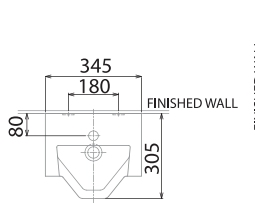
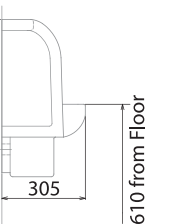
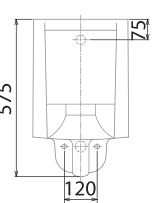

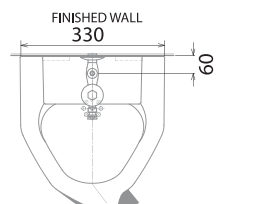
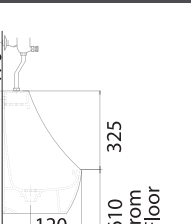
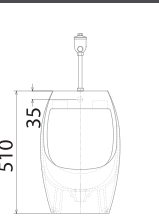

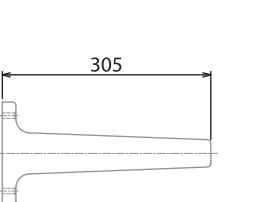
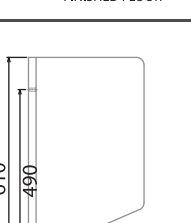
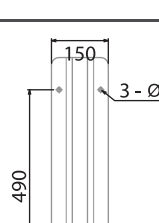

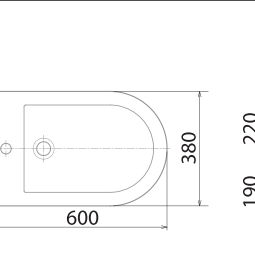
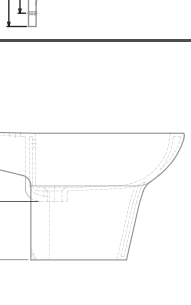
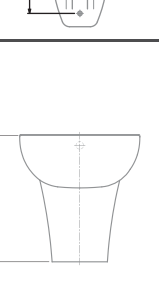
WATER EFFICIENCY  Good  Very Good  Excellent


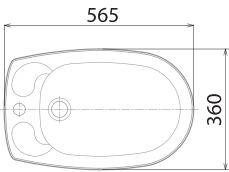
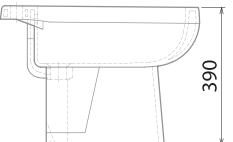
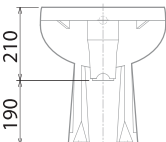



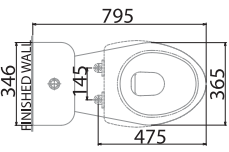
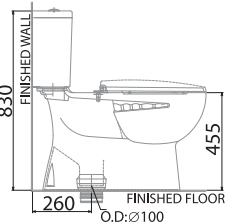
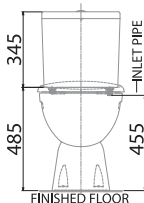
Wall Hung W.C	PLAN / TOP ELEVATION	SIDE ELEVATION	FRONT ELEVATION
 <p>VENUS WASHDOWN WALL HUNG WC SET WH4809 4,5 / 6 Litres HO / P Trap height : 220mm Available in back inlet only</p>			
 <p>LINCOLN WASHDOWN WALL HUNG PAN WH4810 6 / 3 Litres HO / P Trap height : 215mm Available in back inlet only</p>			
 <p>NEPTUNE WASHDOWN WALL HUNG PAN WH4815 6 / 3 Litres HO / P Trap height : 215mm Available in back inlet only</p>			
 <p>PEGASUS WASHDOWN WALL HUNG WC SET WH4802 6 / 3 Litres HO / P Trap height : 235mm Available in back / top inlet only</p>			


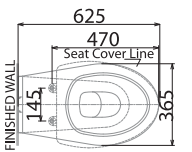
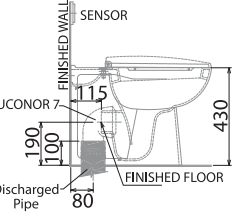
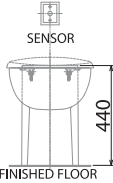
△ Wall Hung Washdown W.C With Concealed 9° Trap (Back Inlet)


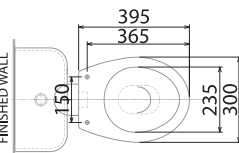
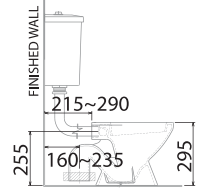
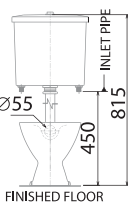
Back To Wall Pan	PLAN / TOP ELEVATION	SIDE ELEVATION	FRONT ELEVATION
 <p>ROSNA SYPHONIC ELONGATED BACK TO WALL PAN WC3705 6 Litres BO / S Trap rough-in : 300mm Available in top / back inlet</p>			
 <p>VENUS WASHDOWN BACK TO WALL PAN WC4709P 6 / 3 Litres HO / P Trap height : 190mm S Trap converter rough in : 100mm Available in top / back inlet only</p>			
 <p>LEO WALL FACE BI PAN WC4711 6 Litres HO / P Trap height : 190mm Available in back inlet only</p>			
 <p>RICHMOND WASHDOWN BACK TO WALL PAN WC4707 6 / 3 Litres HO / P Trap height : 190mm S Trap converter rough in : 80mm Available in top / back inlet only</p>			
 <p>WINDSOR WASHDOWN BACK TO WALL PAN WC626 6 / 3 Litres HO / P Trap height : 190mm Available in back inlet only</p>			
 <p>WINNIE WASHDOWN PAN WC612NF 6 Litres BO / S Trap rough-in : 220mm Available in top inlet only</p>			


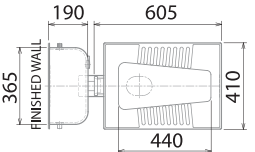
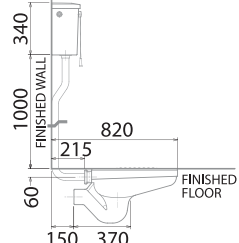
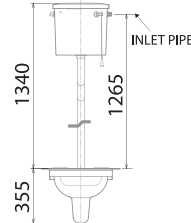
Urinal / Bidet	PLAN / TOP ELEVATION	SIDE ELEVATION	FRONT ELEVATION
 <p>CETUS WALL HUNG URINAL UR5603 Urinal with Integral Trap Available in Top / Back Inlet L 365 x W 465 x H 835 mm</p>			
 <p>LONG BOOTES WALL HUNG URINAL UR5605 Urinal with Integral Trap Available in Top / Back Inlet L 370 x W 325 x H 700 mm</p>			
 <p>SHENTON WALL HUNG URINAL UR407 Urinal with Integral Trap Available in Top / Back Inlet L 305 x W 345 x H 575 mm</p>			
 <p>BOOTES WALL HUNG URINAL UR5602 Without Integral Trap Available in Top / Back Inlet L 340 x W 330 x H 510 mm (Available with PVC Bottle Trap)</p>			
 <p>URINAL DIVIDER UD441 L 610 x W 305 x H 150</p>			
 <p>LEO FLOOR MOUNTED BIDET BD5111 L 600 x W 380 x H 400</p>			


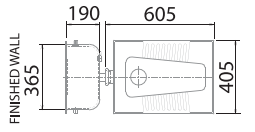
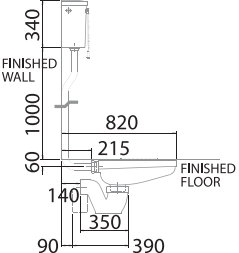
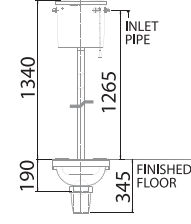
Urinal / Bidet	PLAN / TOP ELEVATION	SIDE ELEVATION	FRONT ELEVATION
 <p>COMMON FLOOR MOUNTED BIDET BD 5104 L 565 x W 360 x H 400</p>			


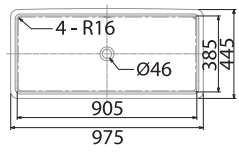
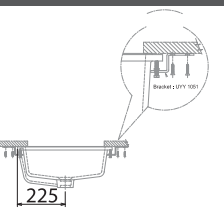

Handicap W.C. / Children W.C.	PLAN / TOP ELEVATION	SIDE ELEVATION	FRONT ELEVATION
 <p>HANDICAPPED WASHDOWN CLOSE COUPLE PAN WC9501S / LC3005ND 6 / 3 Litres, 4,5 / 3 Litres BO / S Trap rough-in : 260mm</p>			


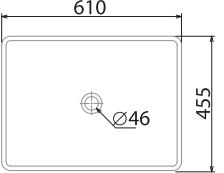

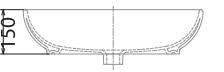
Handicap Elongated Back to Wall Pan	PLAN / TOP ELEVATION	SIDE ELEVATION	FRONT ELEVATION
 <p>HANDICAPPED ELONGATED BACK TO WALL PAN WC9701 (TI / BI) HO / P Trap height : 190mm (S trap 80mm with specific S Converter) Available in Top / Back Inlet</p>			


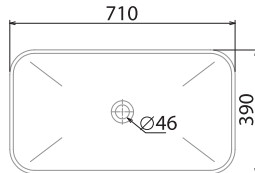
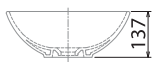

Kiddy Washdown Pan	PLAN / TOP ELEVATION	SIDE ELEVATION	FRONT ELEVATION
 <p>KIDDY WASHDOWN PAN WC9502S / LC3010D 6 / 3 Litres BO / S Trap rough-in : 260mm</p>			


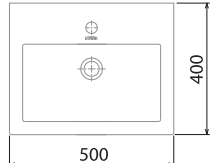
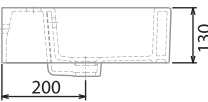
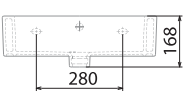
Oriental Squatting Pan with Integral P Trap	PLAN / TOP ELEVATION	SIDE ELEVATION	FRONT ELEVATION
 <p>ORIENTAL SQUATTING PAN WITH INTEGRAL P TRAP WC644P / LC3010AHL 6 Litres lever chain activated</p>			


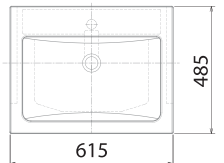
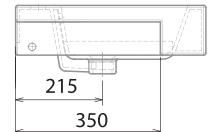

Oriental II Squatting Pan	PLAN / TOP ELEVATION	SIDE ELEVATION	FRONT ELEVATION
 <p>ORIENTAL II SQUATTING PAN WC644 II / LC3010AHL 6 Litres lever chain activated S or P external trap available TP661S or TP661P</p>			


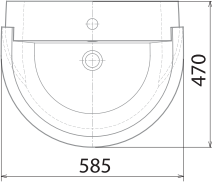
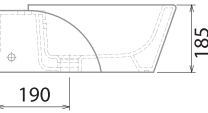
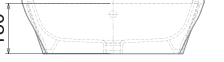
Fine Fireclay Basin	PLAN / TOP ELEVATION	SIDE ELEVATION	FRONT ELEVATION
 <p>OBLONG UNDER COUNTER BASIN WBFC1601 L 445 x W 975 x H 185</p>			


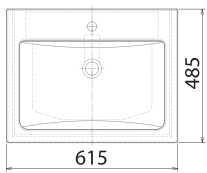
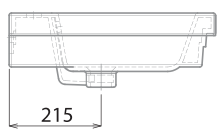
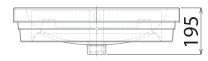

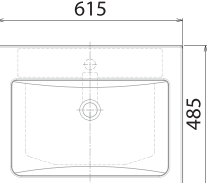
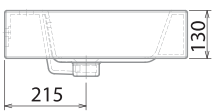
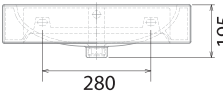

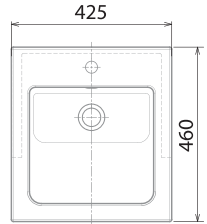
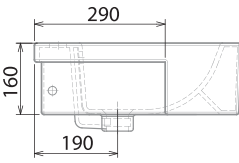


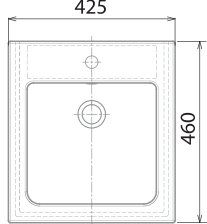
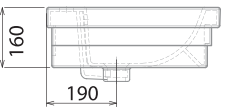
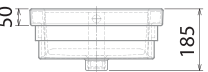

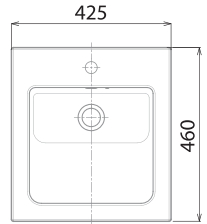
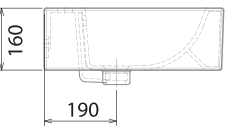
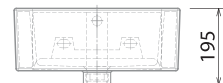

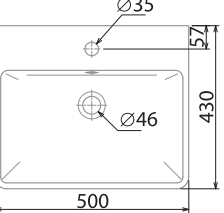
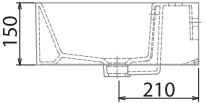
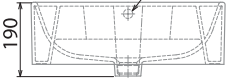
Rectangular Above Counter Basin	PLAN / TOP ELEVATION	SIDE ELEVATION	FRONT ELEVATION
 <p>WBFC1520AC RECTANGULAR ABOVE COUNTER BASIN WBFC1520AC L 455 x W 610 x H 195</p>			


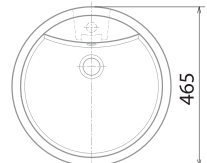
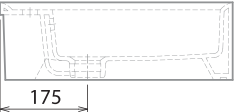
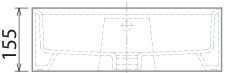

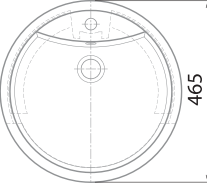
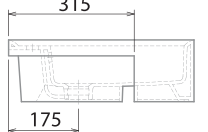
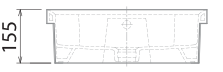

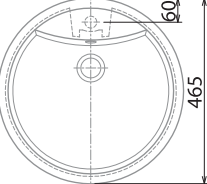
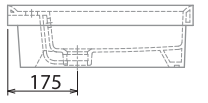
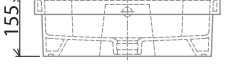

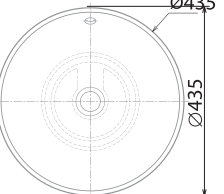
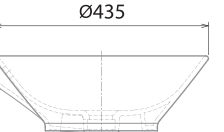
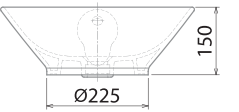

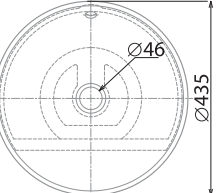
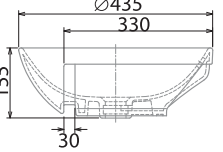
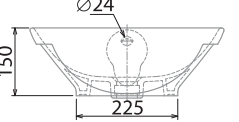

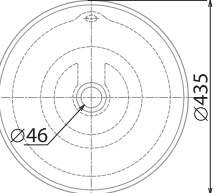
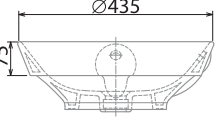
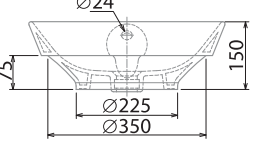
Rectangular Above Counter Basin	PLAN / TOP ELEVATION	SIDE ELEVATION	FRONT ELEVATION
 <p>WBFC1521AC RECTANGULAR ABOVE COUNTER BASIN WBFC1521AC L 390 x W 710 x H 137</p>			


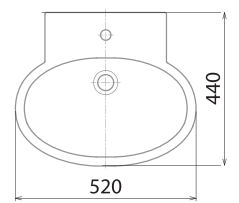
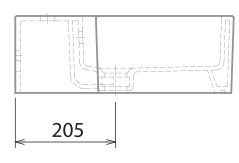
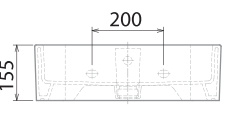
Taurus Teen Above Counter Square Basin	PLAN / TOP ELEVATION	SIDE ELEVATION	FRONT ELEVATION
 <p>TAURUS TEEN ABOVE COUNTER SQUARE BASIN WBFC1126AC L 400 x W 500 x H 168</p>			


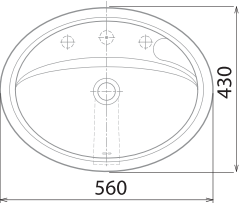
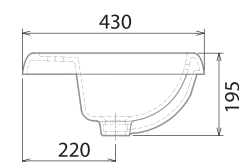
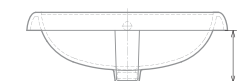
Taurus Semi Recess Basin	PLAN / TOP ELEVATION	SIDE ELEVATION	FRONT ELEVATION
 <p>TAURUS SEMI RECESS BASIN WBFC1018SR L 485 x W 615 x H 195</p>			


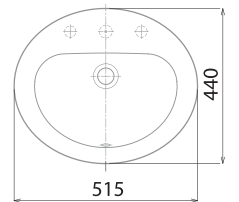
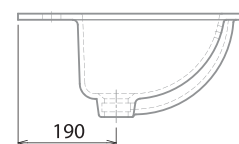
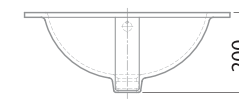
Virgo Above Counter Basin	PLAN / TOP ELEVATION	SIDE ELEVATION	FRONT ELEVATION
 <p>VIRGO ABOVE COUNTER BASIN WBFC1577 L 470 x W 585 x H 185</p>			


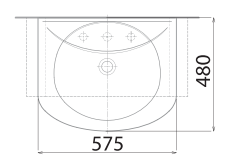
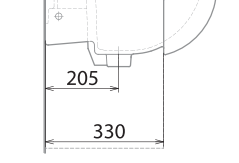
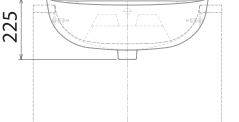
Fine Fireclay Basin	PLAN / TOP ELEVATION	SIDE ELEVATION	FRONT ELEVATION
 <p>TAURUS INSET BASIN WBFC1018IS L 485 x W 615 x H 195</p>			
 <p>TAURUS WALL BASIN / ABOVE COUNTER BASIN WBFC1018 (WH / AC) L 485 x W 615 x H 195</p>			
 <p>TAURUS JR. SEMI RECESS BASIN WBFC1518SR L 460 x W 425 x H 185</p>			
 <p>TAURUS JR. INSET BASIN WBFC1518IS L 460 x W 425 x H 185</p>			
 <p>TAURUS JR. WALL BASIN WBFC1518WH L 460 x W 425 x H 195</p>			
 <p>TELESTO WALL BASIN / ABOVE COUNTER BASIN WBFC1023 (WH / AC) L 430 x W 500 x H 190 Optional : Semi Pedestal SRFC1710 Full Pedestal BP1710</p>			


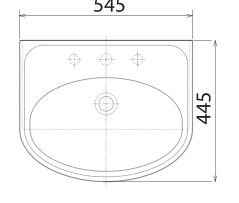
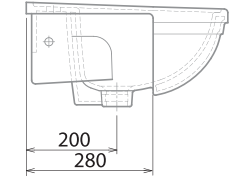
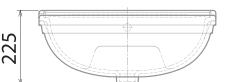
Designer Basin	PLAN / TOP ELEVATION	SIDE ELEVATION	FRONT ELEVATION
 <p>PICTOR ABOVE COUNTER BASIN WB1507AC Ø 465 x H 155</p>			
 <p>PICTOR SEMI RECESS BASIN WB1507SR Ø 465 x H 155</p>			
 <p>PICTOR INSET BASIN WB1507IS Ø 465 x H 155</p>			
 <p>CONSOLE ABOVE COUNTER BASIN WB1504AC Ø 435 x H 150</p>			
 <p>CONSOLE SEMI RECESS BASIN WB1504SR Ø 435 x H 150</p>			
 <p>CONSOLE INSET BASIN WB1504IS Ø 435 x H 150</p>			


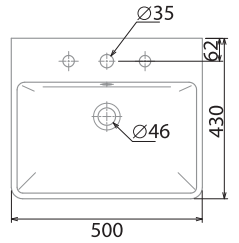
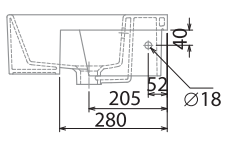
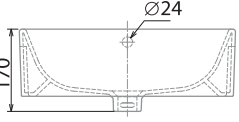
Designer Basin	PLAN / TOP ELEVATION	SIDE ELEVATION	FRONT ELEVATION
 <p>CAPRICORN ABOVE COUNTER BASIN WB1070 L 440 x W 520 x H 155 Optional : Shroud SR 1718</p>			


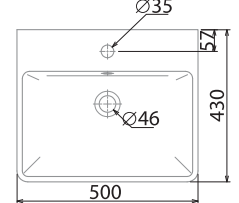
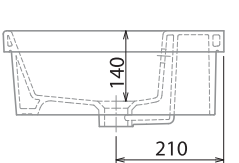
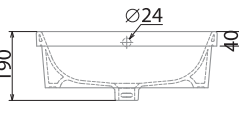
Counter Top Basin	PLAN / TOP ELEVATION	SIDE ELEVATION	FRONT ELEVATION
 <p>MONA COUNTER TOP BASIN WB106 L 430 x W 560 x H 195</p>			


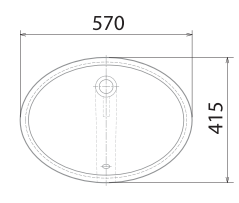
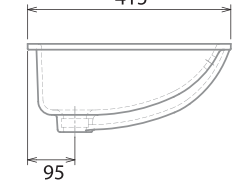
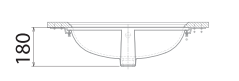
Counter Top Basin	PLAN / TOP ELEVATION	SIDE ELEVATION	FRONT ELEVATION
 <p>LYNX COUNTER TOP BASIN WB1506 L 440 x W 515 x H 200</p>			


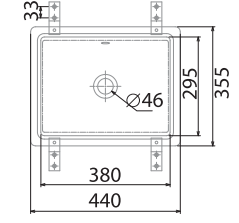
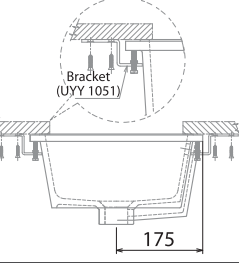
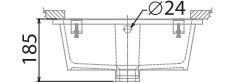
Semi Recess Basin	PLAN / TOP ELEVATION	SIDE ELEVATION	FRONT ELEVATION
 <p>ELISA SEMI RECESS BASIN WB1404 L 480 x W 575 x H 225</p>			


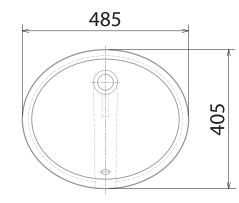
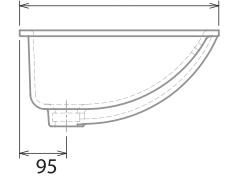
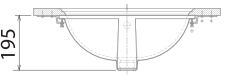
Semi Recess Basin	PLAN / TOP ELEVATION	SIDE ELEVATION	FRONT ELEVATION
 <p>FIONA SEMI RECESS BASIN WB1401M L 445 x W 545 x H 225</p>			


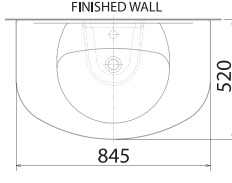
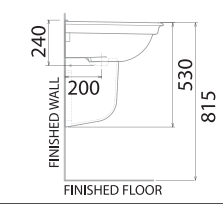
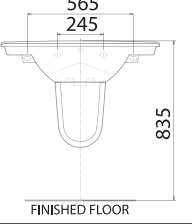

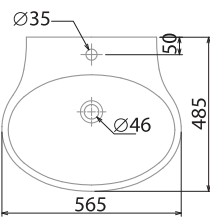
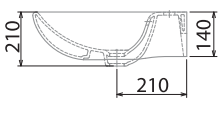
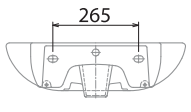

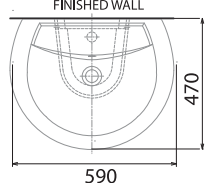
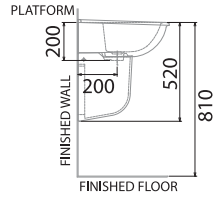
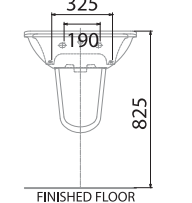

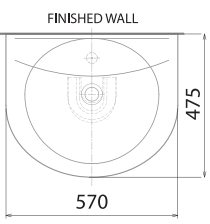
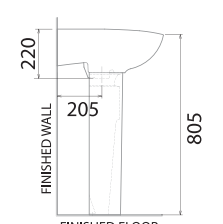
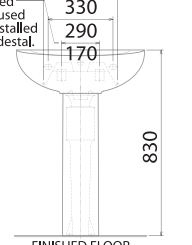

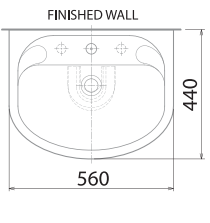
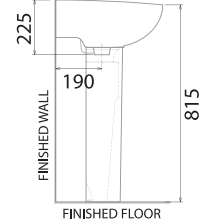
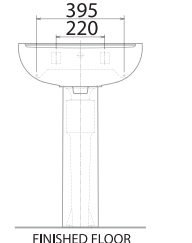

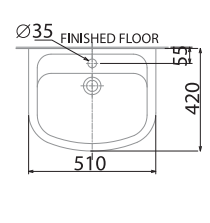
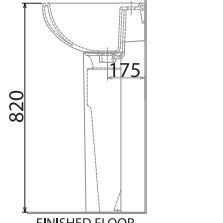
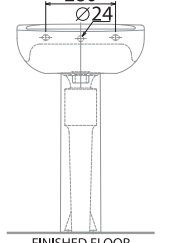
Semi Recess Basin	PLAN / TOP ELEVATION	SIDE ELEVATION	FRONT ELEVATION
 <p>TELESTO SEMI RECESS BASIN WB1023SR L 430 x W 500 x H 170</p>			

Inset Basin	PLAN / TOP ELEVATION	SIDE ELEVATION	FRONT ELEVATION
 <p>TELESTO INSET BASIN WB1023IS L 430 x W 500 x H 190</p>			


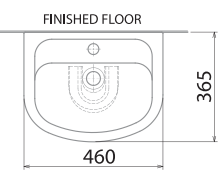
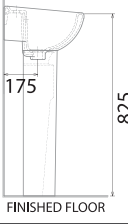
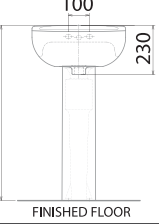

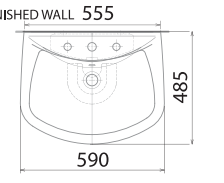

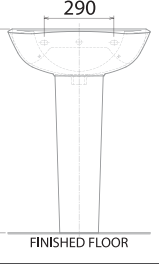

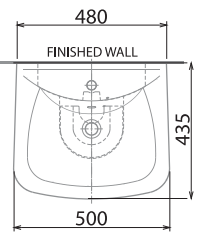
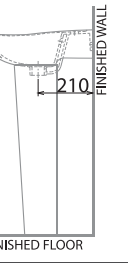
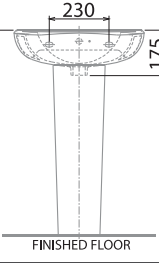

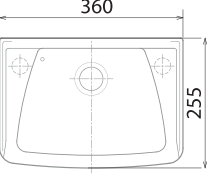
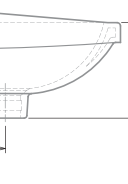
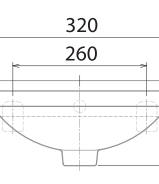

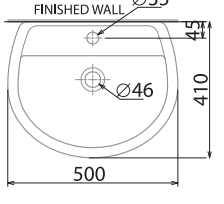
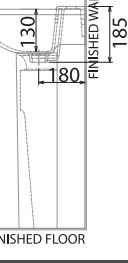
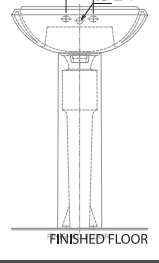

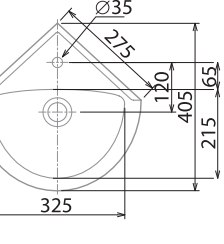
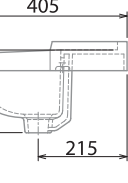
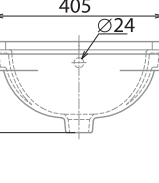
Under Counter Basin	PLAN / TOP ELEVATION	SIDE ELEVATION	FRONT ELEVATION
 <p>ROSALYN UNDER COUNTER BASIN WB1608 L 415 x W 570 x H 180</p>			


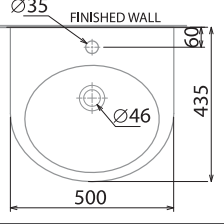
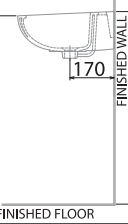
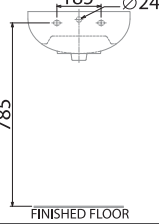

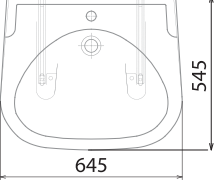
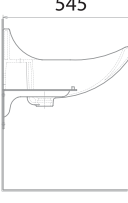
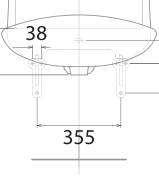

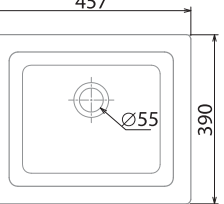
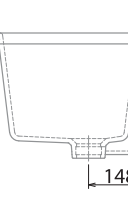
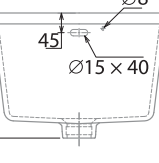

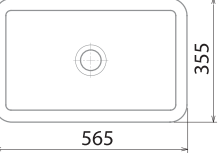
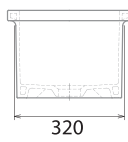
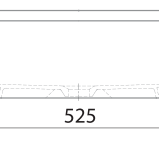
Under Counter Basin	PLAN / TOP ELEVATION	SIDE ELEVATION	FRONT ELEVATION
 <p>UNDER COUNTER BASIN WB1606 L 355 x W 440 x H 185</p>			


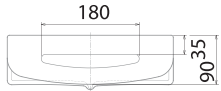
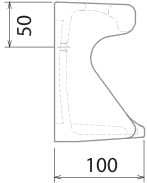
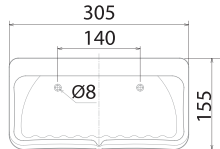

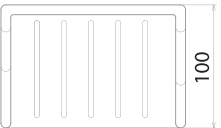
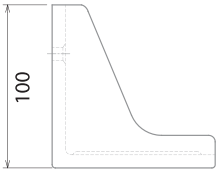
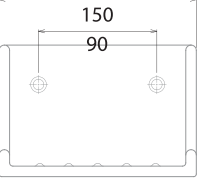

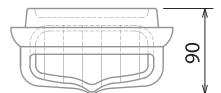
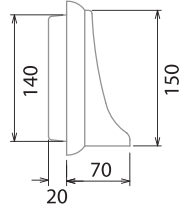
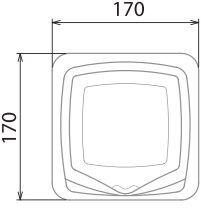

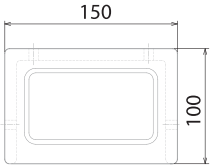
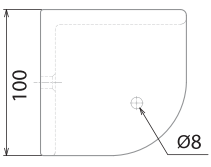
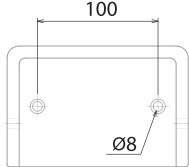

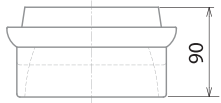
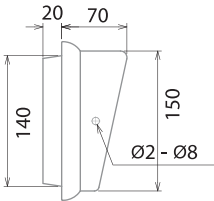
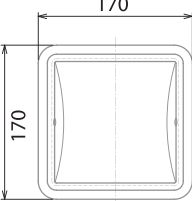

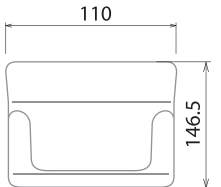
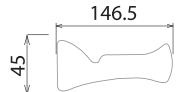
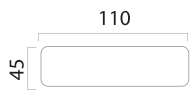
Under Counter Basin	PLAN / TOP ELEVATION	SIDE ELEVATION	FRONT ELEVATION
 <p>SALLY UNDER COUNTER BASIN WB107 L 405 x W 485 x H 195</p>			


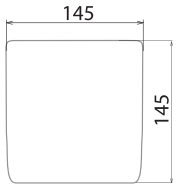
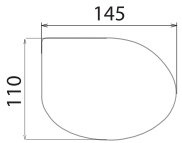
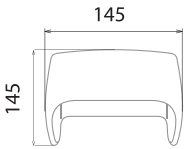

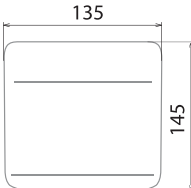
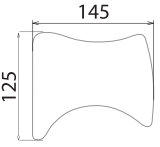
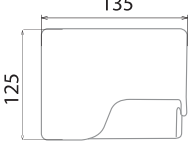

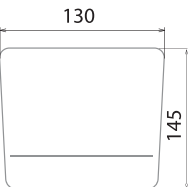
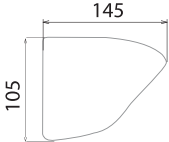
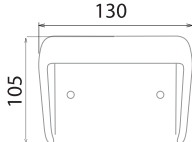

Wash Basin	PLAN / TOP ELEVATION	SIDE ELEVATION	FRONT ELEVATION
			
<p>EAGLE WALL BASIN WB1066 / SR1703 Basin with Semi Pedestal L 520 x W 845 x H 815 Also available with Pedestal BP 1758</p>			
			
<p>AQUARIUS WALL BASIN WB1106 L 485 x W 565 x H 210 Optional : Semi Pedestal SR 1706</p>			
			
<p>ARIES WALL HUNG BASIN WB1063 / SR1703 Basin with Semi Pedestal L 470 x W 590 x H 810 Also available with Pedestal BP 1758</p>			
			
<p>LISA WALL BASIN WB1059 / BP1754 Basin with Pedestal L 475 x W 570 x H 805 Also available with Semi Pedestal SR 1701</p>			
			
<p>PRISCILA WALL BASIN WB1051 / BP1754 Basin with Pedestal L 440 x W 560 x H 815</p>			
			
<p>NEPTUNE 2 WALL BASIN WB1016 / BP1754 Basin with Pedestal L 420 x W 510 x H 820</p>			



Wash Basin	PLAN / TOP ELEVATION	SIDE ELEVATION	FRONT ELEVATION
 <p>NEPTUNE WALL BASIN WB1015 / BP1754 Basin with Pedestal L 365 x W 460 x H 825</p>			
 <p>LEO WALL BASIN WB1011 / BP1711 Basin with Pedestal L 485 x W 590 x H 830 Also available with Semi Pedestal SR 1711</p>			
 <p>CARINA WALL BASIN WB1010 / BP1711 Basin with Pedestal L 435 x W 500 x H 780 Also available with Semi Pedestal SR1711</p>			
 <p>LAURA WALL BASIN WB136 L 255 x W 360 x H 165</p>			
 <p>JASMINE WALL BASIN WB134N / BP1754 Basin with Pedestal L 410 x W 500 x H 795</p>			
 <p>CORINA CORNER BASIN WB122 L 405 x W 405 x H 220</p>			

Medical & Disable Range	PLAN / TOP ELEVATION	SIDE ELEVATION	FRONT ELEVATION
 <p>HANDICAPPED BASIN WB9003 L 435 x W 500 x H 830 Optional : Semi Pedestal SR1701</p>			
 <p>SURGICAL BASIN WB9001 L 545 x W 645 x H 800</p>			
 <p>UTILITY SINK LS8001 L 390 x W 457 x H 287</p>			
 <p>LABORATORY SINK LS806 L 355 x W 565 x H 255</p>			

Accessories	PLAN / TOP ELEVATION	SIDE ELEVATION	FRONT ELEVATION
 <p>SOAP & SPONGE HOLDER TA729 Semi Recess L 100 x W 305 x H 155</p>			
 <p>SOAP TRAY TA726 L 100 x W 150 x H 100</p>			
 <p>SOAP HOLDER TA723 Semi Recess L 90 x W 170 x H 170</p>			
 <p>TOILET PAPER ROLL HOLDER TA705 L 100 x W 150 x H 100</p>			
 <p>TOILET PAPER ROLL HOLDER TA702 Semi Recess L 90 x W 170 x H 170</p>			
 <p>SOAP HOLDER WOS03 L 110 x W 146.5 x H 45</p>			

Accessories	PLAN / TOP ELEVATION	SIDE ELEVATION	FRONT ELEVATION
 <p>TOILET PAPER HOLDER WOT04 L 145 x W 145 x H 110</p>			
 <p>TOILET PAPER HOLDER WOT03 L 135 x W 145 x H 125</p>			
 <p>TOILET PAPER HOLDER WOT02 L 130 x W 145 x H 105</p>			
 <p>DISPENSER HOLDER WOL01 L 130 x W 150 x H 85</p>	